

**Features**

1. 200A ;
2. ;
3. 24W;
4. 100M (1000VDC) 3.5kV;
5. IP :IP67;
6. IEC 60564-1 GB/T14048.1 GB/T14048.4 ;
7. RoHS 2015/863/EU REACH 1907/2006/EC ;

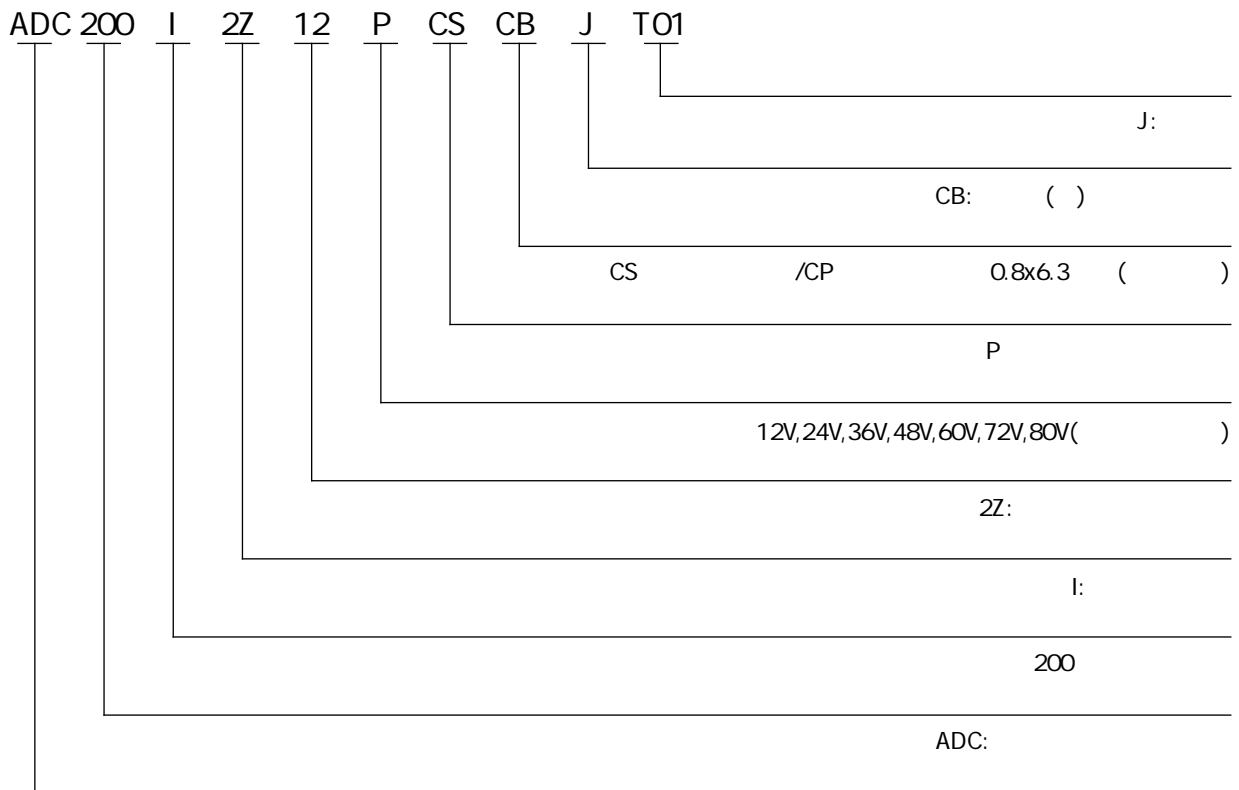
at23  
**Performance Parameters at23**

	2K (2NO), 2B (2NC)	
	30m	
	80mV(at 80A)	
	4le, 1s	30ms
	-40 ~85	30ms
	M6	50Hz/60Hz 1500VAC/1min
	3.5g,10~200Hz,1/2	50Hz/60Hz 1500VAC/1min
	5 ~95 RH	100M 1min
	81mm*53mm*75mm	50M 1min
	20000	50g
	3-6N.m	
/	/	

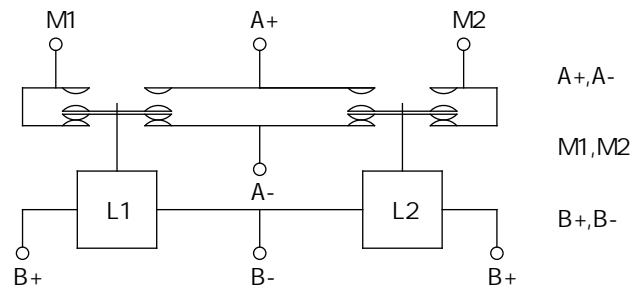
## ADC200IJ ADC200IJ Coil Parameters

12V	70% U <sub>s</sub>	5% -40% U <sub>s</sub>	6 ± 10%	24W± 10%
24V	70% U <sub>s</sub>	5% -40% U <sub>s</sub>	24 ± 10%	24W± 10%
36V	70% U <sub>s</sub>	5% -40% U <sub>s</sub>	54 ± 10%	24W± 10%
48V	70% U <sub>s</sub>	5% -40% U <sub>s</sub>	96 ± 10%	24W± 10%
60V	70% U <sub>s</sub>	5% -40% U <sub>s</sub>	150 ± 10%	24W± 10%
72V	70% U <sub>s</sub>	5% -40% U <sub>s</sub>	216 ± 10%	24W± 10%

### Model Coding

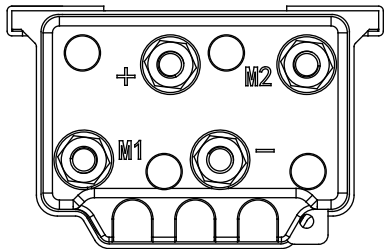
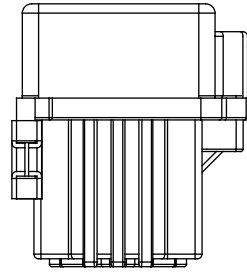
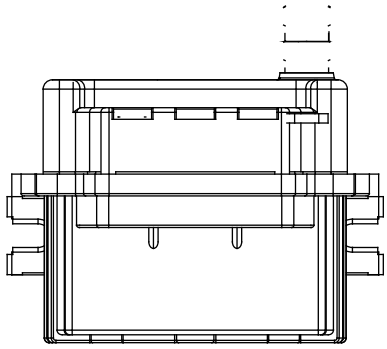


### Wiring Diagram



ADC200IJ  
ADC200IJ Wiring Diagram

# Outline Installation Dimension Drawing



4-M6  
Load Wiring 4-M6  
3.0-6.0N.m

3-M3  
0.5-0.8N.m

4-M6  
3.0-6.0N.m

3-0.8x6.3

## Usage Cautions

1.

2.