



Features

1. 250A ;
2. ;
3. 24W;
Coil power consumption 0.24W.
4. 100M (1000VDC) 2kV;
The insulation resistance reaches 100M (1000VDC), and the withstand voltage between the contacts and the coil is 2kV.
5. IP :IP67;
6. IEC 60664-1 GB/T14048.1 GB/T14048.4 ;
Compliant with IEC 60664-1, GB/T14048.1 and GB/T14048.4 requirements.
7. RoHS 2015/863/EU REACH 1907/2006/EC ;
Compliant with RoHS (2015/863/EC) and REACH (1907/2006/EC) requirements.
8. CE RoHS
Safety certificate: CE, RoHS.

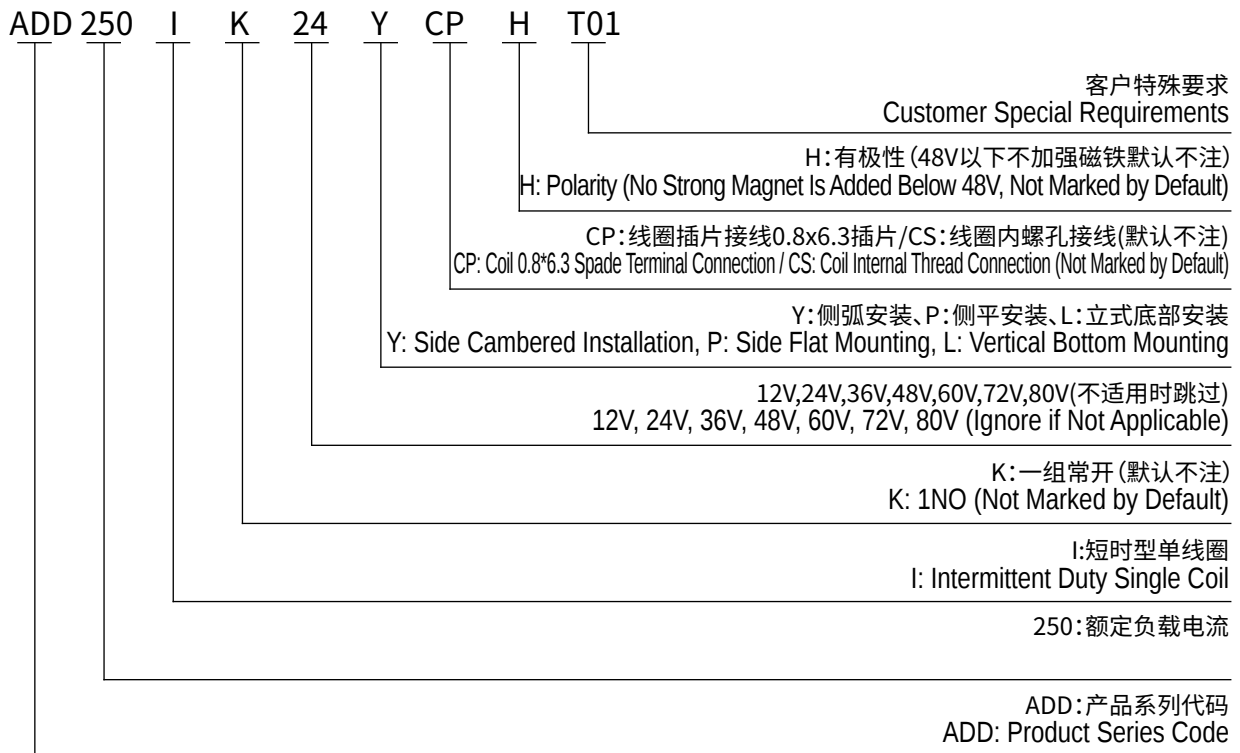
at23
Performance Parameters at23

	1K (1NO)	Pickup Voltage	70% U _s
	5m	Dropout Voltage	5% -40% U _s
Contact Voltage Drop	80mV (at 150A)	Contact Bounce Period	5ms
	7le, 1s		30ms
	-40 ~55	Dropout Time	30ms
	M8 M8 External Thread	Dielectric Strength	Between Main Contacts 50Hz/60Hz 1500VAC/1min
Vibration	3.5g, 10~200Hz, 1/2 3.5g, 10~200Hz, 1/2 Sine Wave (Power On)		Between Main Contacts and Coil 50Hz/60Hz 1500VAC/1min
	5 ~95 RH		100M 1min
Dimension	76.8x70.6x68.5mm		50M 1min
Operating Duty			20g 20g (Power On)
Electrical Durability with Load (Resistive)	50000 (24V/300A) 0.50,000 Times(24V/300A)		50g
Load Wiring Torque	8-10N.m	Mechanical Durability	500000 0.500,000 Times
/	/	Coil Wiring Torque	2-3N.m

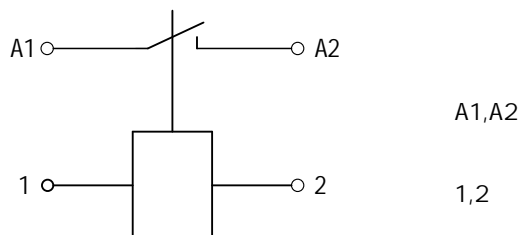
ADD250I ADD250I Coil Parameters

Coil Voltage	Pull-In Voltage	Drop-Out Voltage		
12V	70% U _s	5% -40% U _s	6 ± 10%	24W± 10%
24V	70% U _s	5% -40% U _s	24 ± 10%	24W± 10%
36V	70% U _s	5% -40% U _s	54 ± 10%	24W± 10%
48V	70% U _s	5% -40% U _s	96 ± 10%	24W± 10%
60V	70% U _s	5% -40% U _s	150 ± 10%	24W± 10%
72V	70% U _s	5% -40% U _s	216 ± 10%	24W± 10%

Model Coding



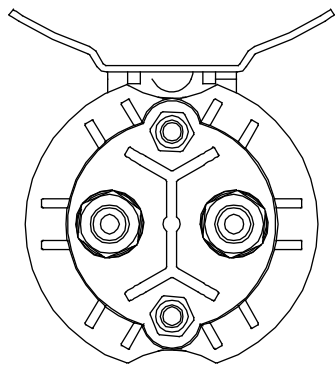
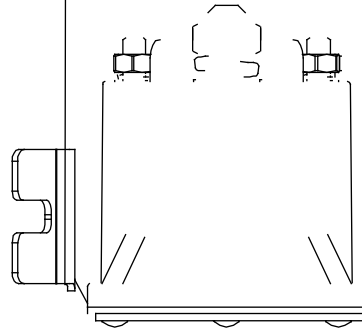
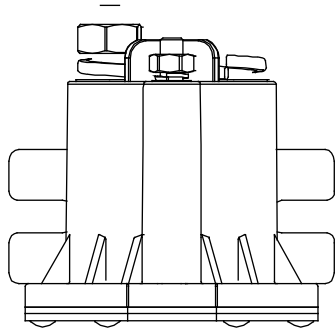
Wiring Diagram



ADD250I
ADD250I Wiring Diagram

Outline Installation Dimension Drawing

ADD2501Y



2-M8
Load Wiring 2-M8
8-10N.m
Torque 8-10N.m

2-M5
Load Wiring 2-M5
2-3N.m
Torque 2-3N.m

ADD2501P

2-M8
Load Wiring 2-M8
8-10N.m
Torque 8-10N.m

2-M5
Load Wiring 2-M5
2-3N.m
Torque 2-3N.m

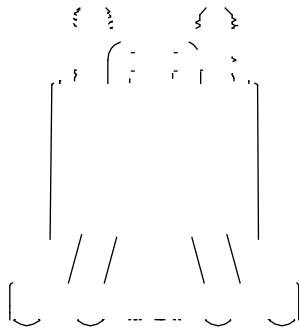
Outline Installation Dimension Drawing

ADD250IL

2-M8
Load Wiring 2-M8
8-10N.m
Torque 8-10N.m

2-M5
Load Wiring 2-M5
2-3N.m
Torque 2-3N.m

ADD250IYCP

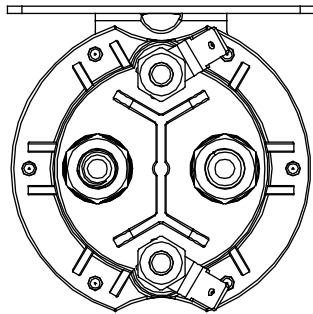
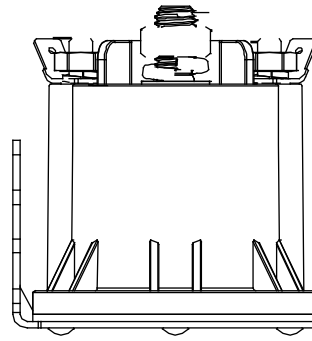
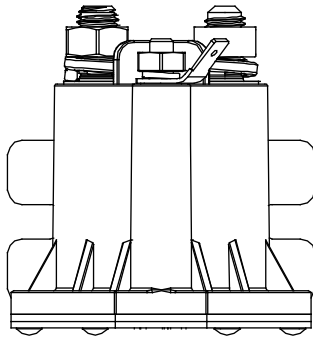


2-M8
Load Wiring 2-M8
8-10N.m
Torque 8-10N.m

T=0.8x6.3
Coil Wiring T=0.8*6.3

Outline Installation Dimension Drawing

ADD250IPCP



2-M8
Load Wiring 2-M8
8-10N.m
Torque 8-10N.m

T=0.8x6.3
Coil Wiring T=0.8*6.3

ADD250ILCP

2-M8
Load Wiring 2-M8
8-10N.m
Torque 8-10N.m

T=0.8x6.3
Coil Wiring T=0.8*6.3

Usage Cautions

1.

This document is only for customer selection reference, AOKAI has tried the best to ensure the accuracy of the information in this document. Product specifications and parameters may be changed due to product improvement etc., they may be inconsistent because of not updated in time. For the specific parameters and performance of each product, please refer to

2.

Regarding the application of this product, please select the matching product according to your specific use conditions and environmental requirements when selecting the product. If the requirements are not clearly specified, please contact AOKAI

3.

When installing and using this product, regardless of wiring or fixed installation, it is required to use anti-loose spring washers.

4.

The torque for installing fasteners should be within the standard range required by this specification. It may cause the unstable installation or damaging the product if the torque is lower than the minimum torque or higher than the maximum torque.

5.

Do not install the contactor in places with strong magnetic fields (such as transformers or strong magnets), or close to objects

6.

30cm

It is forbidden to use the product that have been dropped from a high place (height \geq 30cm).

7.

It is forbidden to use the product in an environment with oil pollution, especially before wiring, it will seriously affect the main terminals conductivity if they are polluted by oil pollution, and affect the product life.

8.

It is forbidden to use the product beyond the rated electrical life. When the rated electrical life is reached, although the product can continue to work, there is a risk of failure, explosion, and burning because of non-breaking.

9.

This product cannot be used as a protector, and the circuit must be connected with a protector in series when using.

10.

AOKAI only does the resistive electrical life verification and quality assurance. When the product is used in an environment with inductive load or capacitive load, it is recommended that the circuit should be connected in parallel with a surge protec-

11.

After continuous work, restarting immediately after disconnection will affect the pull-in voltage because the product is in a hot state, and the pull-in voltage will increase, which is a reasonable phenomenon.

12.