

特性 Features

Continuous 50A load.

It has one set of normally open contacts.

IP protection level: IP50.

57 555 Da: E

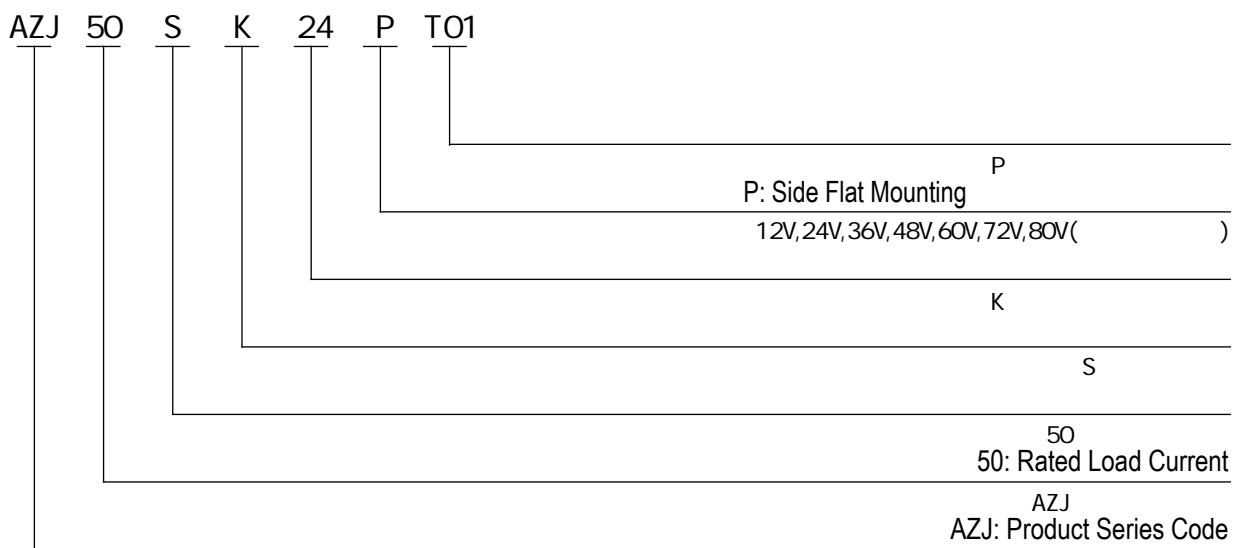
性能参数 (at23°C) Performance Parameters (at23°C)

Contact Arrangement	#= /#@A fi)". Ge
Contact Resistance	" ž _	' . Ž&" . Ge
	*" _ H/Sf' " 3fi	' _ e
Overload Current) \W #e	Pickup Time
Temperature	Ž&" p**	% _ e
Load Terminal	? ' M5 External Thread	' " : !!(" : ! #' " " H35!#_ [
	%ž Y!#" p\$ " " : ! !#! \$	' " : !!(" : ! #' " " H35!#_ [
Relative Humidity	' p+ ' D:	Insulation Resistance
	' (j %j' * _ _	Initial State
	Continuous	After Electrical Life
/ fi	\$ " " "	Shock
	\$Ž%@ž _	Stability
!	!	Strength
		# " " " "
		#z\$Ž\$z' @ž _

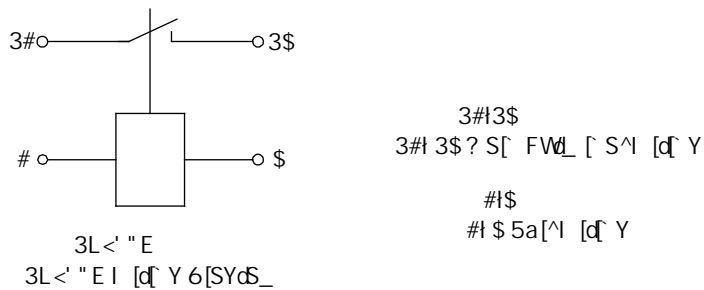
AZJ50S线圈参数 AZJ50S Coil Parameters

			Coil Resistance	Coil Power Consumption
#H)". Ge	' . Z&" . Ge	#* f ' .	* f ' .
\$&H)". Ge	' . Z&" . Ge)\$ f ' .	* f ' .
%H)". Ge	' . Z&" . Ge	#\$ f ' .	* f ' .
&*H)". Ge	' . Z&" . Ge	\$** f ' .	* f ' .
("H)". Ge	' . Z&" . Ge	&' " f ' .	* f ' .
)\$H)". Ge	' . Z&" . Ge	(&* f ' .	* f ' .

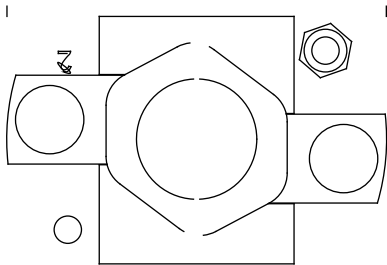
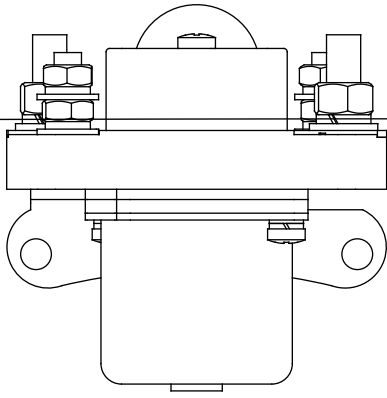
型号说明 Model Coding



接线原理图 Wiring Diagram



外形安装尺寸图
Outline Installation Dimension Drawing



\$Z? &
#z\$Z@z_ \$Z' @z_ ? Sj

\$Z? '
\$Z'@z_ %@z_ ? Sj

使用注意事项 Usage Cautions

#ž

the samples provided by AOKAI and the corresponding signed and controlled specification.

\$ž

to obtain more technical support.

%ž

&ž

' ž

with thermal radiation. It is recommended to use it with a cooling fan.

(ž % U_

) ž

* ž

+ž

#" ž

tion device.

##ž

#\$ž

It is strictly prohibited to wiring when power on.