

Features

1. IP67 ;
2. 300A 85 ;
3. 100M 1000VDC 3kV;
The insulation resistance reaches 100M_Ω (1,000VDC), and the withstand voltage between the contact and the coil is 3kV.
4. IEC 60664-1 GB/T14048.1 GB/T14048.4 ;
5. RoHS 2015/863/EU REACH 1907/2006/EC ;
Compliant with RoHS (2015/863/EC) and REACH (1907/2006/EC) requirements.
6. CE RoHS

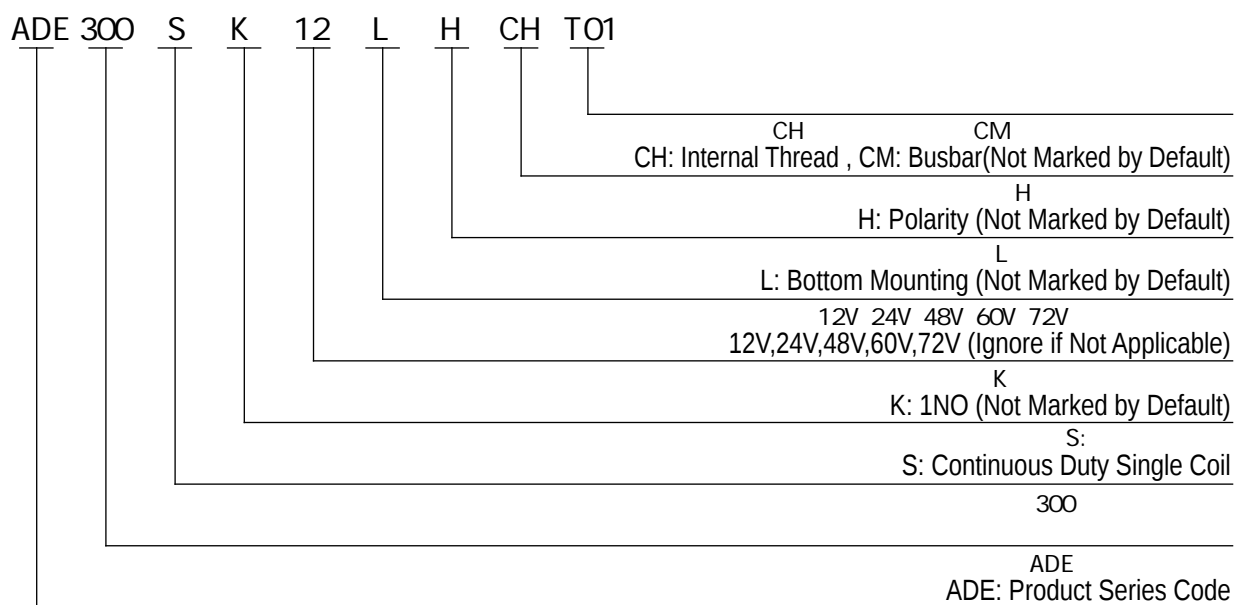
Main Contact Specification

	1K (1NO)
	0.5m (at 300A)
Max. Switching Voltage	750VDC
	2500A (320VDC) 1 (Ops)
	6,000 (Ops) (450VDC, 300A)
	1,000 (Ops) (750VDC, 300A)
	200,000 (Ops)
	300A
	450A, 60min
	600A, 20min
	1,200A, 30S
	3,000A, 0.6S
Dimension	113x65x77mm
	About 800g

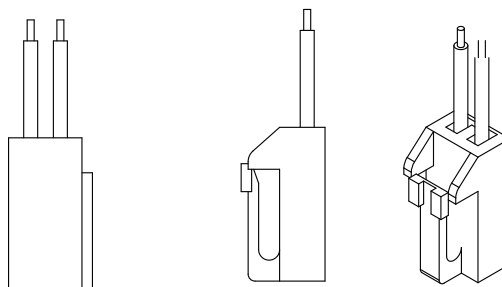
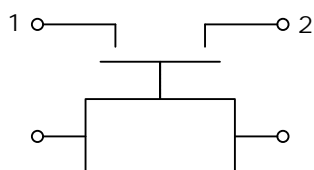
Performance Parameter (at 23)

Pickup Voltage	75% Us
Dropout Voltage	8% Us
	30ms
	5ms
	10ms
	3,000VDC 1min
	2,500VDC 1min
	100M 1min
	50M 1min
	50g

Model Coding



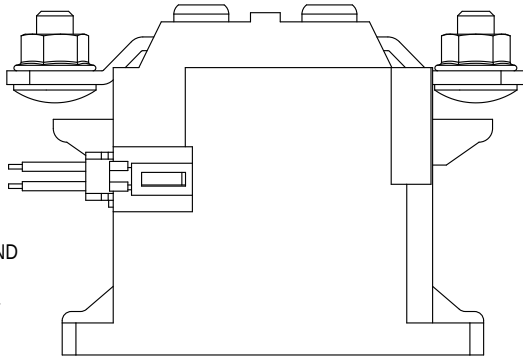
Wiring Diagram



Outline Installation Dimension Drawing

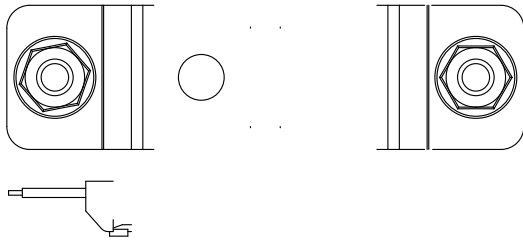
ADE300

5: : GND
 5: Terminal: Coil GND
 6: : V+
 6: Terminal: Coil V+



1+
 Load Output Connected
 to Positive Pole (1+)

2-
 Load Output Connected
 to Negative Pole (2-)



3. 60 a₃

M6x8

ADE300CH

5: : GND
 5: Terminal: Coil GND
 6: : V+
 6: Terminal: Coil V+

1+
 Load Output Connected
 to Positive Pole (1+)

2-
 Load Output Connected
 to Negative Pole (2-)

3. 60 a₃

Usage Cautions

1.

This document is only for customer selection reference, AOKAI has tried the best to ensure the accuracy of the information the samples provided by AOKAI and the corresponding signed and controlled specification.

2.

environmental requirements when selecting the product. If the requirements are not clearly specified, please contact AOKAI

3.

4.

5.

Do not install the contactor in places with strong magnetic fields (such as transformers or strong magnets), or close to objects

6. 30cm

It is forbidden to use the product that have been dropped from a high place (height \geq 30cm).

7.

8.

9.

10.

AOKAI only does the resistive electrical life verification and quality assurance. When the product is used in an environment

11.

12.