



Features

1. 125A ;
Continuous 125A load.
2. ;
It has one set of bistable contacts.
3. 30W;
4. 100M (1000VDC) 1kV;
5. IP :IP40;
6. IEC 60664-1 GB/T14048.1 GB/T14048.4 ;
7. RoHS 2015/863/EU REACH 1907/2006/EC ;
8. CE RoHS;

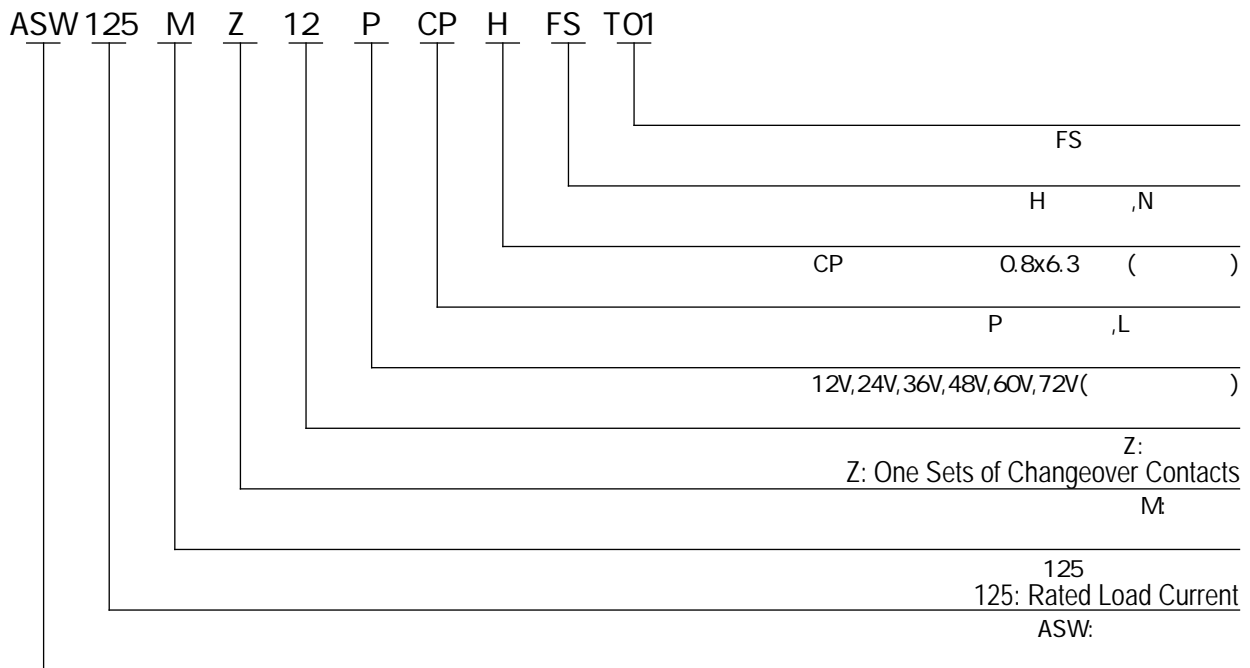
at23
Performance Parameters at23

Contact Arrangement	1K 1NO 1B 1NC		70% Us
Contact Resistance	0.5m		10% Us
	80mV(at 125A)		5ms
Overload Current	7Ie, 1s	Pickup Time	30ms
Temperature	-40 ~-65		30ms
Load Terminal	M8		50Hz/60Hz 1000VAC/1min
	3.5g,10~200Hz,1/2		50Hz/60Hz 1000VAC/1min
Relative Humidity	20 ~90 RH	Insulation Resistance	Initial State 100M 1min
	57x48x89mm		After Electrical Life 50M 1min
	Continuous	Shock	60-100) / 4g
()	6000		100000
	8-10N.m		6.3x0.8

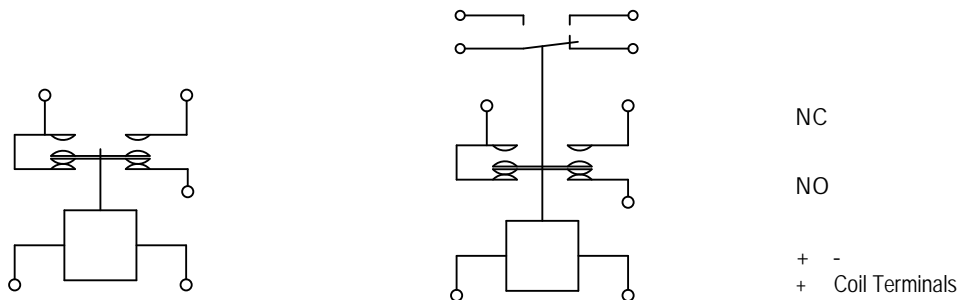
ASW125MZ ASW125MZ Coil Parameter

			Holding Current	Coil Power Consumption
12V	20% -80% Us	20% -80% Us	2A	15 30W
24V	20% -80% Us	20% -80% Us	1A	15 30W
36V	20% -80% Us	20% -80% Us	0.75A	15 30W
48V	20% -80% Us	20% -80% Us	0.7A	15 30W
60V	20% -80% Us	20% -80% Us	0.5A	15 30W
72V	20% -80% Us	20% -80% Us	0.4A	15 30W

Model Coding



Wiring Diagram



Wiring Diagram Without Micro Switch

Wiring Diagram with Micro Switch

ASW125MZ

500ms t 1s,

6

" +"

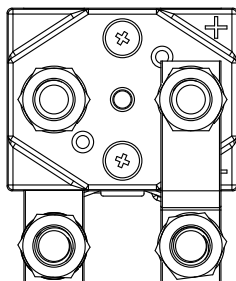
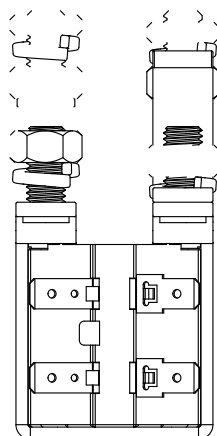
," -"

" +"

," -"

Note: ASW125MZ coil is energized by positive and negative pulses, and the energizing time is 500ms t 1s. The coil cannot be energized continuously for a long time, the operating frequency should not exceed 6 times per minute, and the pulse should be a square wave. Positive pulse ("+" is connected to the positive of power supply, and "-" is connected to the negative of power supply) makes the contacts closed, and negative pulse ("+" to the negative of power supply, "-" to the positive of power supply) makes the contacts open. After the coil is de-energized, the contact state is maintained by the permanent magnetic steel in the product.

Outline Installation Dimension Drawing



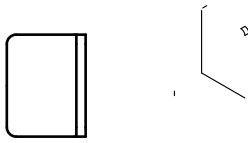
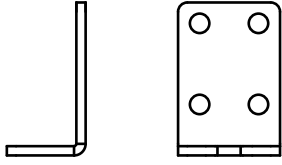
2-M8

8-10N.m

T=0.8x6.3

Spade Terminal

Outline Installation Dimension Drawing



Usage Cautions

1.

2.

to obtain more technical support.

3.

4.

5.

with thermal radiation. It is recommended to use it with a cooling fan.

6. 30cm

7.

switching ability will be reduced.

8.

abnormal heating of the coil will affect its service life.

9.

10.

11.

12.

tion device.

13.

14.

It is strictly prohibited to wiring when power on.